

## Second-harmonic generation enabled by longitudinal electric-field components in photonic wire waveguides

Nicolas Poulvellarie<sup>1,2,3</sup>, Utsav Dave,<sup>4</sup> Koen Alexander,<sup>2,3</sup> Charles Ciret,<sup>5</sup> Maximilien Billet<sup>1,2,3</sup>, Carlos Mas Arabi,<sup>1</sup> Fabrice Raineri,<sup>6,7</sup> Sylvain Combrié,<sup>8</sup> Alfredo De Rossi<sup>8</sup>, Gunther Roelkens,<sup>2,3</sup> Simon-Pierre Gorza,<sup>1</sup> Bart Kuyken,<sup>2,3</sup> and François Leo<sup>1,\*</sup>

<sup>1</sup>*OPERA-Photonique, Université libre de Bruxelles, Brussels, Belgium*

<sup>2</sup>*Photonics Research Group, Ghent University-IMEC, Ghent, Belgium*

<sup>3</sup>*Center for Nano- and Biophotonics (NB-Photonics), Ghent University, Ghent, Belgium*

<sup>4</sup>*Department of Electrical Engineering, Columbia University, New York, New York 10027, USA*

<sup>5</sup>*Laboratoire de Photonique d'Angers EA 4464, Université d'Angers, Angers, France*

<sup>6</sup>*Centre de Nanosciences et de Nanotechnologies (C2N), CNRS, Université Paris Sud, Université Paris Saclay, F-91120 Palaiseau, France*

<sup>7</sup>*Université de Paris, Centre de Nanosciences et de Nanotechnologies (C2N), F-91120 Palaiseau, France*

<sup>8</sup>*Thales Research and Technology, Palaiseau, France*



(Received 8 January 2020; revised 8 May 2020; accepted 18 June 2020; published 19 August 2020)

We investigate second-harmonic generation in III-V semiconductor wire waveguides aligned with a crystallographic axis. In this direction, because of the single nonzero tensor element coming from the zinc-blende symmetry of III-V semiconductors, only frequency conversion by mixing with the longitudinal components of the optical fields is allowed. We experimentally study the impact of the propagation direction on the conversion efficiency and confirm the role played by the longitudinal components through the excitation of an antisymmetric second-harmonic higher-order mode.

DOI: [10.1103/PhysRevA.102.023521](https://doi.org/10.1103/PhysRevA.102.023521)

### I. INTRODUCTION

Nanophotonic wire waveguides are well suited for efficient frequency conversion. The high index contrast allows one to confine waves into subwavelength structures, greatly increasing the strength of light-matter interactions. Recent examples include ultraefficient second-harmonic (SH) generation [1–3] and frequency-comb formation [4,5]. The bound modes propagating in high-index-contrast waveguides are different from the well-known transverse plane-wave solutions of the Helmholtz equation [6]. In particular, these modes possess a strong longitudinal component. In silicon wire waveguides, for example, the amplitude of the longitudinal field can be almost as large as that of its transverse counterpart [7]. Having a high electric field pointing in the direction of propagation is of interest for applications such as linear accelerators [8], optical storage [9], or microscopy [10]. Yet, the strong longitudinal field components in nanowaveguides are still to be harnessed for efficient nonlinear conversion.

Considering an instantaneous response of the medium, the electric polarization is often written as [11]  $\vec{P} = \epsilon_0(\chi^{(1)}|\vec{E} + \chi^{(2)}|\vec{E}\vec{E} + \dots)$ , where  $\vec{E}$  is the real electric field,  $\chi^{(1)}$  and  $\chi^{(2)}$  are second- and third-rank tensors modeling the linear and the second-order nonlinear response of the medium, and  $|$  denotes a tensor product. In nanowaveguides, the longitudinal field induces a linear coupling between modes through the  $\chi_{zz}^{(1)}$  term [12]. Polarization rotators based on this principle have been implemented [13]. The impact of longitudinal

components on the second-order nonlinear polarization was studied in zinc-selenide crystals, lithium niobate, and gallium phosphide nanopillars [14–16] but, to the best of our knowledge, SH generation enabled by those components was not demonstrated for bound modes.

In this paper, we analyze type-I second-harmonic generation in indium gallium phosphide (InGaP) wire waveguides in the strong guidance regime. We first model the nonlinear interaction and predict that the longitudinal electric-field components play a crucial role for specific propagation directions. We then experimentally investigate SH generation and demonstrate how axially oscillating dipoles may be leveraged to excite an antisymmetric SH mode in III-V semiconductor wire waveguides, a process that is prohibited for purely transverse modes.

### II. MODELING

III-V semiconductors are arranged in a zinc-blende configuration ( $\bar{4}3m$  point group) leaving only the nondiagonal  $\chi_{xyz}^{(2)}$  element nonzero. It was measured to be as high as 220 pm/V in InGaP [17]. Here, we assume that the waveguides are in the  $xz$  (010) plane of the crystal. The Cartesian coordinates are denoted  $(x'y'z')$  in the waveguide frame and  $(xyz)$  in the crystal axis. Since we are interested in type-I second-harmonic generation, we write the electromagnetic radiation as a superposition of two forward-propagating bound modes,

$$\begin{aligned}\vec{E} &= \text{Re}\{a(z')\vec{e}_a e^{i(\beta_a z' - \omega_0 t)} + b(z')\vec{e}_b e^{i(\beta_b z' - 2\omega_0 t)}\}, \\ \vec{H} &= \text{Re}\{a(z')\vec{h}_a e^{i(\beta_a z' - \omega_0 t)} + b(z')\vec{h}_b e^{i(\beta_b z' - 2\omega_0 t)}\},\end{aligned}\quad (1)$$

\*francois.leo@ulb.ac.be

where  $a, b$  are the amplitudes of the fundamental and second-harmonic modes (expressed in  $\sqrt{W}$ ), and  $\beta_a, \beta_b$  are their propagation constants. The carrier frequencies are  $\omega_0$  and  $2\omega_0$ , respectively.  $\vec{e}_j(\vec{r}'_{\perp}, \omega_j)$  and  $\vec{h}_j(\vec{r}'_{\perp}, \omega_j)$  are the vectorial electric and magnetic profiles of the modes, normalized so that  $|a|^2$  ( $|b|^2$ ) is the power carried by the fundamental (SH) mode. Both the profiles and the propagation constants are computed with a commercial mode solver (Lumerical).

The propagation model describing the nonlinear interaction between these modes can be derived by perturbation analysis of the linear bound modes [18]. A similar approach has been applied to difference frequency generation [19] as well as third-order nonlinearities [12,20–23]. For type-I second-order interactions in waveguides, the nonlinear coupled equations read

$$\frac{da(z')}{dz'} = -\alpha_a a(z') + i\kappa^*(\theta)b(z')a^*(z')e^{-i\Delta\beta z'}, \quad (2)$$

$$\frac{db(z')}{dz'} = -\alpha_b b(z') + i\kappa(\theta)a^2(z')e^{i\Delta\beta z'}, \quad (3)$$

where  $\Delta\beta = 2\beta_a - \beta_b$  and  $\theta$  is the angle between the propagation direction  $z'$  and the  $z$  axis ([001] direction; see Fig. 1).

In the crystallographic axes, the effective nonlinearity is

$$\kappa = \frac{\omega_0 \epsilon_0}{2} \int_{\perp} \chi_{xyz}^{(2)} (e_b^{*x} e_a^y e_a^z + e_b^{*y} e_a^x e_a^z + e_b^{*z} e_a^x e_a^y) dA, \quad (4)$$

where the integration boundaries are restricted to the transverse section of the InGaP waveguide core. We note that the longitudinal components have a fixed phase difference of  $\pi/2$  with their transverse counterparts. We choose to work with real transverse components such that the longitudinal components are purely imaginary. Accordingly, we introduce the imaginary part of the longitudinal component  $e^{z'_i} = -ie^{z'}$ , which allows us to use real spatial distributions in what follows. Moreover, we can limit the discussion to the first quadrant considering the  $\bar{4}$  symmetry of the material.

The conversion efficiency is either maximum at  $\theta = 0^\circ$  or  $45^\circ$  depending on the spatial distributions of the modes [18]. When the waveguide is aligned with the [001] crystal axis, the effective nonlinearity becomes

$$\kappa(0^\circ) = \frac{i\omega_0 \epsilon_0}{2} \int_{\perp} \chi_{xyz}^{(2)} (e_b^{*x} e_a^y e_a^{z'_i} + e_b^{*y} e_a^x e_a^{z'_i} - e_b^{*z} e_a^x e_a^y) dA. \quad (5)$$

We readily see that in this particular propagation direction, the longitudinal field components play a critical role as they appear in all terms of Eq. (5).

Conversely, when aligned at  $45^\circ$ , the effective nonlinearity is very different since the transverse components can efficiently mix together, while the longitudinal components' contribution is usually small. It reads

$$\kappa(45^\circ) = \frac{\omega_0 \epsilon_0}{2} \int_{\perp} \chi_{xyz}^{(2)} \left[ e_a^{*y} (e_b^x e_a^x - e_b^{z'_i} e_a^{z'_i}) + \frac{e_b^{*y}}{2} (e_a^{x'2} + e_a^{z'_i2}) \right] dA. \quad (6)$$

When a mirror symmetry is present, spatial distributions  $e_{a,b}^i$  are either symmetric or antisymmetric in the corresponding direction [see, e.g., Fig. 1(b)]. Moreover, a symmetric

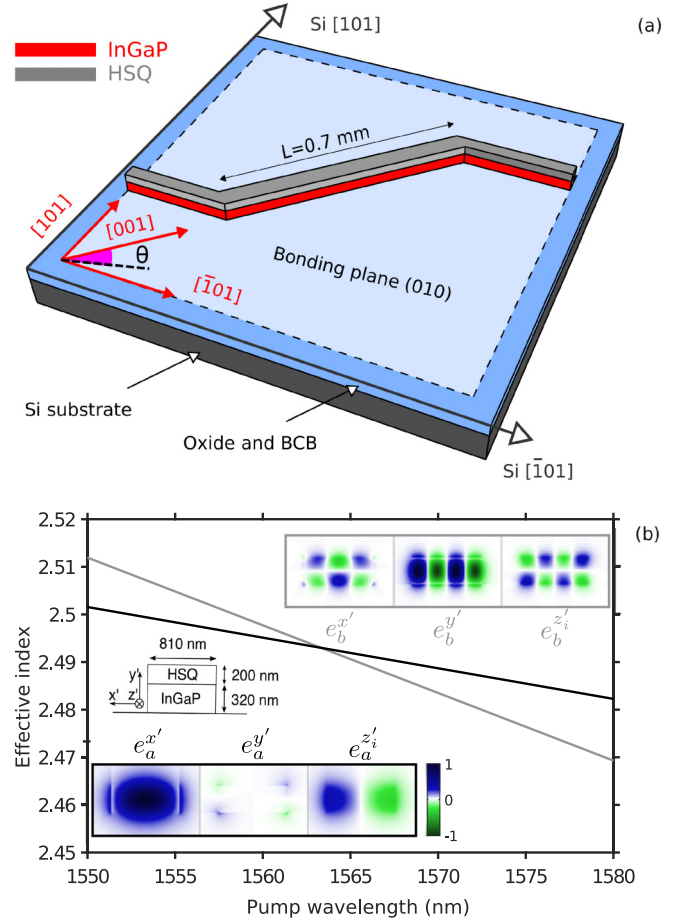


FIG. 1. (a) Schematic of a 320-nm-high, 810-nm-wide III-V-on-insulator waveguide with both  $0^\circ$  and  $45^\circ$  sections. (b) Simulated effective indices of the corresponding pump  $TE_{00}$  and SH  $TM_{30}$  modes showing phase matching close to 1560 nm. The waveguide cross section as well as the spatial profile of the electric-field components are shown as insets.

(antisymmetric)  $e^{x'}$  implies an antisymmetric (symmetric)  $e^{y'}$  and  $e^{z'_i}$  [6]. This has important consequences for the overlap integrals in Eqs. (5) and (6). Second-harmonic modes with a certain symmetry can only be efficiently excited in a specific direction: the modes with a symmetric longitudinal profile at  $45^\circ$  and the modes with an antisymmetric longitudinal profile at  $0^\circ$ . Note that the symmetry of the pump mode has no impact because two pump photons are involved in the process. There are hence two experimental signatures of second-harmonic generation induced by longitudinal components in III-V wire waveguides: (i) the propagation direction that maximizes the conversion efficiency should be aligned with a crystallographic axis, and (ii) in the  $x'$  direction, the vertical and longitudinal components of the second-harmonic mode,  $(e_b^{y'}, e_b^{z'_i})$ , are antisymmetric and the corresponding horizontal component ( $e_b^{x'}$ ) is symmetric.

### III. EXPERIMENTS AND DISCUSSION

We fabricate waveguides in an epitaxially grown indium gallium phosphide thin layer bonded on an oxidized silicon

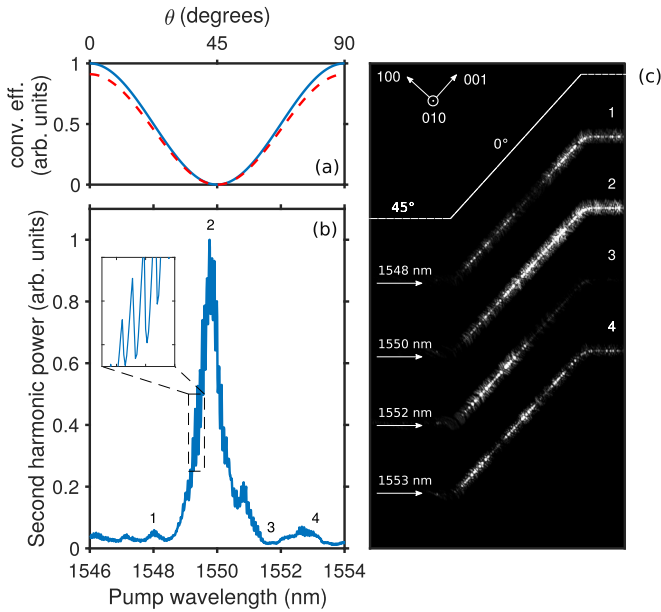


FIG. 2. (a) Theoretical conversion efficiency  $(|\kappa(\theta)|^2)$  corresponding to the coupling shown in Fig. 1, when considering all the terms of Eq. (4) (blue line) or only the  $e_b^y e_a^x e_a^z$  term (red dashed line). (b) Measured second-harmonic power vs pump wavelength. A close-up of the Fabry-Perot fringes (FSR = 75 pm) is shown in the inset. (c) Top view of the diffusion patterns recorded on a silicon camera for different pump wavelengths (they are shifted vertically from one another for clarity). The dashed line indicates the position of the  $0^\circ$  and  $45^\circ$  sections. The intensity has been normalized so as to show the patterns more clearly.

wafer with a benzocyclobutene (BCB) polymer [24]. We use a negative-tone resist, hydrogen silsesquioxane (HSQ) for the lithography, which results in a 200 nm overlayer similar to silicon oxide. We start with a waveguide made of both  $0^\circ$  and  $45^\circ$  sections [see Fig. 1(a)]. The cleave directions of both silicon and InGaP are along the  $[101]$  and  $[\bar{1}01]$  axes, such that the middle section ( $L = 700 \mu\text{m}$ ) is aligned with a crystallographic axis. The waveguide is 320 nm high and 810 nm wide. We simulated this structure with a commercial mode solver software to obtain the effective refractive indices of the propagating modes. Phase matching is predicted between a quasi- $\text{TE}_{00}$  pump mode and a quasi- $\text{TM}_{30}$  second-harmonic mode close to 1560 nm [see Fig. 1(b)]. The dependence of the corresponding effective nonlinearity with the propagation direction is shown in Fig. 2(a). Also shown is the amplitude of the middle term ( $e_b^y e_a^x e_a^z$ ) of Eq. (4) to highlight that the interaction is dominated by the mixing of those components. At the phase-matching wavelength, the maximum conversion corresponds to  $\kappa(0^\circ) = 260i(\sqrt{\text{Wm}})^{-1}$ , while no conversion should occur at  $\theta = 45^\circ$ .

We launch horizontally polarized light from a tunable laser in the waveguide through a lensed fiber. The output waves are collected by use of a microscope objective with a large numerical aperture (NA=0.9). The experimental phase-matching function is shown in Fig. 2(b). We find maximum conversion close to 1550 nm with a conversion bandwidth of 0.6 nm. The fast oscillations (see inset) are due to the Fabry-Perot effect induced by Fresnel reflections on both facets of the waveguide.

The measured 75 pm free spectral range matches very well with the theoretical 78 pm corresponding to a 4.4-mm-long waveguide with a group index  $n_g = 3.5$ . We also image the SH diffusion pattern from the top of the waveguide with a silicon camera for pump wavelengths corresponding to local extrema of the phase-matching function [see Fig. 2(c)]. As can be seen, the SH wave appears shortly after the first turn and, at the phase-matching wavelength, it increases until the  $0^\circ$  section ends. This confirms our prediction that the nonlinear conversion occurs only in the waveguide aligned with the crystallographic axis. Around 1548 nm, we find a pattern of SH generation and parametric down conversion, in agreement with the dynamics for  $\Delta\beta = \pm 3\pi/L$  [11]. When pumping at 1553 nm, however, the measurement is reminiscent of the dynamics expected for  $\Delta\beta = \pm 5\pi/L$ . This discrepancy is confirmed by pumping at 1552 nm, where nonlinear conversion seems to take place only in the first half of the  $0^\circ$  section. The diffusion patterns and the SH power curve indicate that the conversion dynamics is different on both sides of the maximum conversion point, a behavior we could not replicate by integrating Eqs. (2) and (3). Asymmetric phase-matching functions have been reported in other SH generation experiments in nanowires [1,2,25–27]. They are likely due to inhomogeneities of the waveguide cross section. A detailed study of the impact of inhomogeneities on the SH pattern is beyond the scope of the present report. Importantly, our experiments confirm the impact of the propagation direction on second-harmonic generation in III-V nanowaveguides. The SH is most efficiently excited when the waveguide is aligned with a crystallographic axis, as theoretically predicted when the interaction is enabled by the longitudinal components of the modes.

In a second experiment, we aim at measuring the SH intensity profile to confirm the mixing with the longitudinal components of the fields. To have access to the excited second-harmonic mode, without disturbance from bends and sections with no SH conversion, we fabricate waveguides in an InGaP layer rotated with respect to the silicon wafer [see Fig. 3(a)]. We resort in this case to a positive-tone resist (ARP-6200) for the lithography and silicon nitride as a hard mask. We use waveguides with a  $90^\circ$  bend between sections of different widths to be able to study different lengths while keeping the propagation direction fixed. We couple linearly polarized light from a tunable laser source into both waveguides through a 700-nm-wide section by use of a lensed fiber. The output modes are imaged through a 4- $f$  arrangement comprising a high NA microscope objective ( $f = 1.8 \text{ mm}$ ) and a 750 mm plano-convex lens (see Fig. 4). Because of the subwavelength nature of the transverse profile, only the lowest-order modes can be faithfully imaged. The large point-spread function of the imaging system relative to the waveguide width prevents one from reconstructing modes with more than one zero in each direction. Hence, we seek to excite an antisymmetric SH mode of the lowest order in the  $x$  direction. Constrained by the fixed InGaP layer height of 320 nm, we look for a mode with only one zero in this direction, and one or no zero in the  $y$  direction. Simulations predict phase matching between a quasi- $\text{TM}_{00}$  pump mode and a quasi- $\text{TM}_{11}$  second-harmonic mode in a 600-nm-wide waveguide for a pump around 1590 nm (see Fig. 3). The

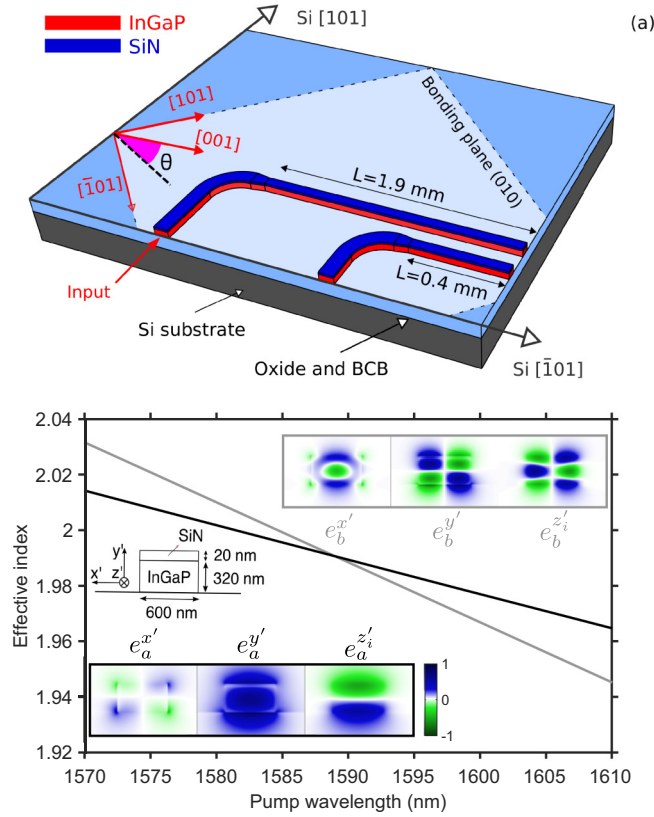


FIG. 3. (a) Schematic of two straight sections of different lengths of 320-nm-high, 600-nm-wide III-V-on-insulator waveguides. At the input, both are connected to a 700-nm-wide section. (b) Simulated effective indices of the corresponding pump  $TM_{00}$  and SH  $TM_{11}$  modes showing phase matching around 1590 nm. The waveguide cross section as well as the spatial profile of the electric-field components are shown as insets.

corresponding theoretical effective nonlinearity is  $\kappa(0^\circ) = -57i(\sqrt{Wm})^{-1}$ . Note that contrary to the previous experiment, none of the three terms of Eq. (5) are negligible. All

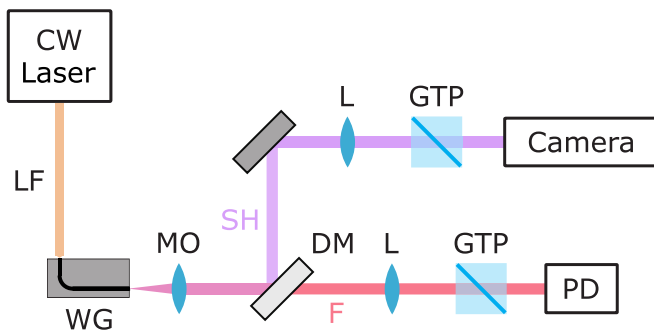


FIG. 4. Experimental setup. A lensed fiber (LF) is used to couple the light in the waveguide (WG). At the output, a microscope objective (MO) collects the light, which is then sent to a dichroic mirror (DM) that separates the fundamental (F) and SH beams. They are both collimated through a lens (L) and sent to a Glan-Taylor prism (GTP) and a photodiode (PD). Alternatively, as depicted in the figure, the SH mode is imaged on a camera.

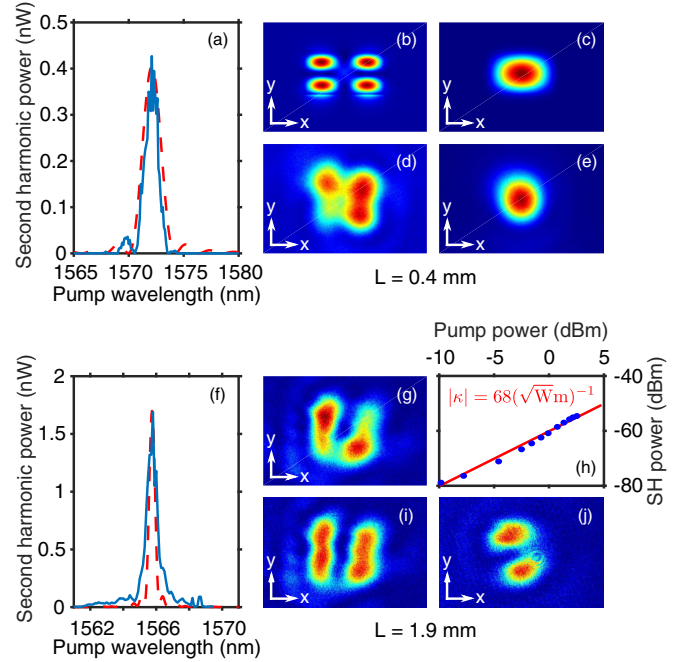


FIG. 5. Experimental results obtained with the waveguides shown in Fig. 3. (a) Experimental (solid line) and theoretical (dashed line) SH power at the output of the short waveguide vs pump wavelength (input power = 2.5 mW). (b), (c) Theoretical Poynting vector profile for the SH  $TM_{11}$  mode and  $TE_{00}$  modes. (d), (e) Experimental profiles of the SH  $TM_{11}$  mode and  $TE_{00}$  modes. The theoretical and experimental fields of view are  $1.27 \times 0.85 \mu\text{m}$  and  $2.84 \times 1.89 \mu\text{m}$ , respectively. (f) Experimental (solid line) and theoretical (dashed line) SH power at the output of the long waveguide vs pump wavelength (input power = 1.3 mW). (g) Experimental image of the SH  $TM_{11}$  mode at the output of the long waveguide. (h) Experimental (dots) and theoretical (line) SH power as a function of the pump power when pumping at 1566 nm. (i), (j) Experimental image of the SH mode after the Glan-Taylor prism in the vertical and horizontal directions, respectively.

field components, including both longitudinal ones, thus play a significant role in the nonlinear coupling.

The maximum conversion is experimentally found at 1572 nm in the shorter waveguide (see Fig. 5). The analysis of the polarization of the output modes through a Glan-Taylor prism shows that both the pump and the SH waves are predominantly vertically polarized, as predicted by the full-vectorial modeling.

To calibrate our imaging system at the second-harmonic wavelength, we launch 775 nm horizontally polarized light at the input of the waveguide to excite a fundamental mode. We measure a profile very similar to the computed  $TE_{00}$  mode [Figs. 5(c) and 5(e)] given the limited resolution of the imaging setup. We then image the output SH mode when pumping at 1572 nm and find very good agreement between theoretical and experimental profiles [Figs. 5(b) and 5(d)]. In the longer waveguide, we find a similar phase-matching point around 1566 nm. The phase-matching function is narrower, as expected, and the output mode profile confirms that the same  $TM_{11}$  SH mode as in the short waveguide is excited [Fig. 5(g)]. As discussed above, different symmetries



are expected for the different components. The vertically (horizontally) polarized component should be antisymmetric (symmetric) in the  $x$  direction. To find out, we record the image profile through a Glan-Taylor prism. The horizontally and vertically polarized profiles at the output of the 1.9 mm waveguide are shown in Figs. 5(i) and 5(j). The vertically polarized wave is very similar to the Poynting vector distribution, as expected from a quasi-TM mode. After the prism though, a clearer zero line can be seen along the symmetry plane. The horizontal polarization pattern, on the other hand, is very different. While not perfectly symmetric as would be expected, it is clear that there is no vertical nodal line in the intensity profile. Note that both plots are normalized and that the power in the horizontally polarized component is around 10% of the total output power. These results clearly confirm the excitation of a  $TM_{11}$  SH mode by a  $TM_{00}$  pump mode in a III-V wire waveguide. Since this process is only supported by the mixing of all six electric-field components, it highlights the importance of the longitudinal field components and the necessity to perform full-vectorial modeling when designing SH generation experiments in III-V nanowires.

Finally, we extract an experimental lower bound of the effective nonlinear coefficient from the conversion efficiency. The theoretical efficiency can be obtained by integrating Eqs. (2) and (3) while neglecting pump depletion [28],

$$|b(L)|^2 = 4|\kappa|^2|a(0)|^4 \left| \frac{\sinh(\Phi L/2)}{\Phi} \right|^2 e^{-(\alpha_a + \alpha_b/2)L}, \quad (7)$$

where  $\Phi = \alpha_a - \alpha_b/2 + i\Delta\beta$ . To extract the experimental efficiency from the SH power measurements [see Fig. 5(h)], we use the theoretical maximum value  $|b(L)|^2 = |\kappa|^2|a(0)|^4 L_{\text{eff}}^2$ , where we have introduced the effective interaction length  $L_{\text{eff}} = 2[\exp(-\alpha_b L/2) - \exp(-\alpha_a L)]/(2\alpha_a - \alpha_b)$ . The input coupling and propagation loss of the pump are estimated to be 12 dB and 2.2 dB/mm, respectively. The 775 nm propagation loss (9 dB/mm) was measured for a fundamental  $TE_{00}$  at 775 nm. We expect the propagation loss of the  $TM_{11}$  mode to be larger. Considering that we collect all the SH power

through the high NA objective, we find  $|\kappa_{\text{exp}}| > 27 (\sqrt{Wm})^{-1}$  for the short waveguide and  $|\kappa_{\text{exp}}| > 68 (\sqrt{Wm})^{-1}$  for the long waveguide, in good agreement with the theoretically predicted value of  $57 (\sqrt{Wm})^{-1}$ . Note that, as seen in Figs. 5(a) and 5(f), the spectral dependence of the process still resembles the standard sinc squared function despite the large propagation loss, and the experimental bandwidth matches very well with the theoretical one in both waveguides.

#### IV. CONCLUSION

In conclusion, we designed two experiments to investigate the impact of longitudinal field components on second-harmonic generation in III-V nanowires. We have demonstrated, through characterization of the propagation direction, spatial profiles, polarization, and efficiency, the excitation of antisymmetric modes via type-I second-harmonic generation. We theoretically showed that such coupling is enabled by the longitudinal components of the modes. Integrated platforms are likely to play a large role in future optical systems. A good understanding of the physics of confined modes is hence crucial in developing all-optical computing. Our results show that while they do not contribute to the time-averaged Poynting vector, longitudinal components store energy that can be harnessed for nonlinear conversion. With further dispersion engineering, this scheme can lead to ultraefficient second-harmonic generation [18], a process that finds applications in many fields, including quantum circuits [29].

#### ACKNOWLEDGMENTS

We would like to thank Pascal Kockaert for fruitful discussions. This work was supported by funding from the European Research Council (ERC) under the European Union's Horizon 2020 research and innovation programme (Grants Agreement No. 726420, No. 759483, and No. 757800) and by the Fonds de la Recherche Scientifique (Grant Agreement No. PDR.T.0185.18).

- 
- [1] C. Wang, C. Langrock, A. Marandi, M. Jankowski, M. Zhang, B. Desiatov, M. M. Fejer, and M. Lonar, *Optica* **5**, 1438 (2018).
  - [2] L. Chang, A. Boes, X. Guo, D. T. Spencer, M. J. Kennedy, J. D. Peters, N. Volet, J. Chiles, A. Kowligy, N. Nader, D. D. Hickstein, E. J. Stanton, S. A. Diddams, S. B. Papp, and J. E. Bowers, *Laser Photon. Rev.* **12**, 1800149 (2018).
  - [3] E. J. Stanton, J. Chiles, Nima Nader, G. Moody, N. Volet, L. Chang, J. E. Bowers, S. Woo Nam, and R. P. Mirin, *Opt. Express* **28**, 9521 (2020).
  - [4] M. Pu, L. Ottaviano, E. Semenova, and K. Yvind, *Optica* **3**, 823 (2016).
  - [5] B. Stern, X. Ji, Y. Okawachi, A. L. Gaeta, and M. Lipson, *Nature (London)* **562**, 401 (2018).
  - [6] A. W. Snyder and J. D. Love, *Optical Waveguide Theory* (Chapman and Hall, London, 1983).
  - [7] J. B. Driscoll, X. Liu, S. Yasseri, I. Hsieh, J. I. Dadap, and R. M. Osgood, *Opt. Express* **17**, 2797 (2009).
  - [8] E. J. Bochove, G. T. Moore, and M. O. Scully, *Phys. Rev. A* **46**, 6640 (1992).
  - [9] A. S. van de Nes, J. J. M. Braat, and S. F. Pereira, *Rep. Prog. Phys.* **69**, 2323 (2006).
  - [10] L. Novotny, M. R. Beversluis, K. S. Youngworth, and T. G. Brown, *Phys. Rev. Lett.* **86**, 5251 (2001).
  - [11] R. W. Boyd, *Nonlinear Optics* (Academic Press, New York, 2003).
  - [12] S. A. Vahid and T. M. Monro, *Opt. Express* **17**, 2298 (2009).
  - [13] D. Dai and J. E. Bowers, *Opt. Express* **19**, 10940 (2011).
  - [14] Y. Kozawa and S. Sato, *J. Opt. Soc. Am. B* **25**, 175 (2008).
  - [15] M. A. Baghban and K. Gallo, *APL Photon.* **1**, 061302 (2016).
  - [16] E. De Luca, R. Sanatinia, M. Mensi, S. Anand, and M. Swillo, *Phys. Rev. B* **96**, 075303 (2017).
  - [17] Y. Ueno, V. Ricci, and G. I. Stegeman, *J. Opt. Soc. Am. B* **14**, 1428 (1997).

- [18] C. Ciret, K. Alexander, N. Poulvellarie, M. Billet, C. M. Arabi, B. Kuyken, S.-P. Gorza, and F. Leo, [arXiv:2001.02210](#).
- [19] L. Alloatti, D. Korn, C. Weimann, C. Koos, W. Freude, and J. Leuthold, *Opt. Express* **20**, 20506 (2012).
- [20] M. Kolesik and J. V. Moloney, *Phys. Rev. E* **70**, 036604 (2004).
- [21] X. Chen, N. C. Panoiu, and R. M. Osgood, *IEEE J. Quantum Electron.* **42**, 160 (2006).
- [22] B. A. Daniel and G. P. Agrawal, *J. Opt. Soc. Am. B* **27**, 956 (2010).
- [23] K. Alexander, N. A. Savostianova, S. A. Mikhailov, B. Kuyken, and D. Van Thourhout, *ACS Photon.* **4**, 3039 (2017).
- [24] U. D. Dave, B. Kuyken, F. Leo, S.-P. Gorza, S. Combrié, A. De Rossi, F. Raineri, and G. Roelkens, *Opt. Express* **23**, 4650 (2015).
- [25] D. Duchesne, K. A. Rutkowska, M. Volatier, F. Légaré, S. Delprat, M. Chaker, D. Modotto, A. Locatelli, C. De Angelis, M. Sorel, D. N. Christodoulides, G. Salamo, R. Ares, V. Aimez, and R. Morandotti, *Opt. Express* **19**, 12408 (2011).
- [26] R. Luo, Y. He, H. Liang, M. Li, and Q. Lin, *Optica* **5**, 1006 (2018).
- [27] A. P. Anthur, Z. Haizhong, Y. Akimov, O. Junrong, D. Kalashnikov, A. I. Kuznetsov, and L. Krivitsky, [arXiv:2001.06142](#).
- [28] T. Pliska, D. Fluck, P. Guunter, L. Beckers, and C. Buchal, *J. Appl. Phys.* **84**, 1186 (1998).
- [29] S. Zaske, A. Lenhard, C. A. Kessler, J. Kettler, C. Hepp, C. Arend, R. Albrecht, W.-M. Schulz, M. Jetter, P. Michler, and C. Becher, *Phys. Rev. Lett.* **109**, 147404 (2012).